

## Fanless Embedded Box Computer KMDA Series

# KMDA-2602-T002

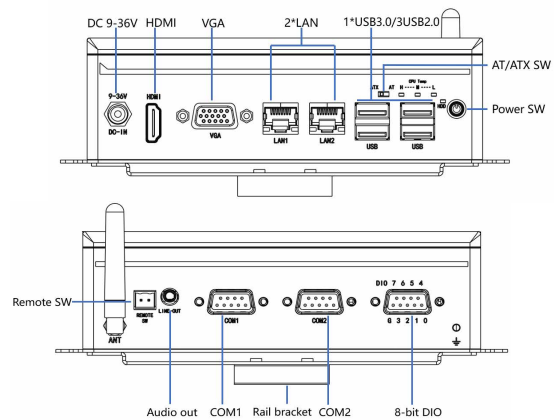
Intel® Celeron J1900 CPU, 2\*LAN, 4\*USB, 8-bit DIO, 2\*COM, HDMI and VGA, CPU Temp. show in LED, DC-IN 9~36V, Compact and Slim Design.

### Key Features

- Compact aluminum chassis, fanless design
- Intel® Baytrail Celeron J1900 2.0~2.42G CPU
- 1\*DDR3L 1333MHz SODIMM, Up to 8GB
- 1\*HDMI and 1\*VGA, Audio Line out
- 2\*Intel I211-AT PCIe Gig. LAN
- 1\*USB3.0, 3\*USB2.0, 2\*COM, 8-bit DIO
- 1\*Mini PCIe(PCIe+ USB), 1\*Mini PCIe(SATA+ USB)
- 1\*2.5" SATA2 Bay and 1\*mSATA
- DC 9~36V Wide Power Input
- Slim design, Din-rail mounting



KMDA-2602/T002 is a compact dimension embedded box computer, with fanless design. Powered by Intel® Celeron J1900 2.0-2.42GHz 4cores 4threads processor, DDR3L 1333MHZ SODIMM memory up to 8GB. 2 PCIe Gigabit LAN, 1\*USB3.0, 3\*USB2.0, HDMI and VGA dual display, Audio Line out, 8-bit DIO, 1\*Mini PCIe, 1\*mSATA and 1\*2.5" SATA bay. DC 9~36V wide power input, Operating temperature showing in LED, economic and reliable, Slim design, Din-rail mounting, it will be fit for lot terminal and manufacture application.



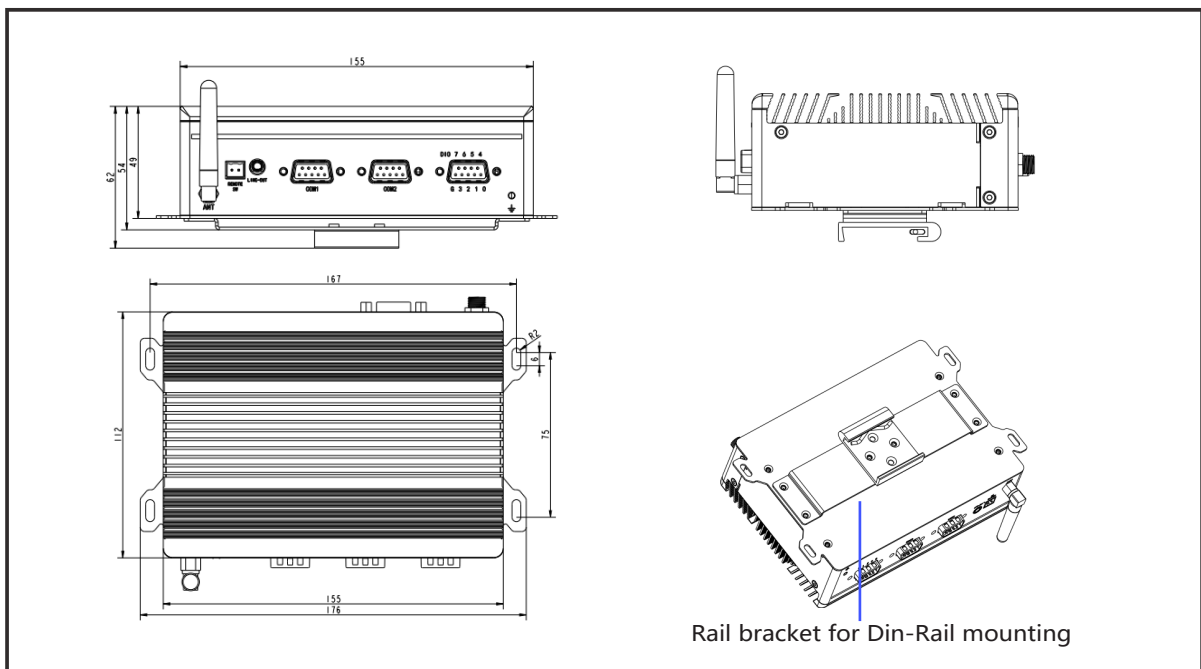
### SPEC.

System	CPU	Intel® Baytrail-D Celeron J1900 , 2.0~2.42GHz, 4cores, 4threads, 2M cache, 22nm, TDP 10W
	System Memory	1*DDR3L 1333MHz SODIMM, Up to 8GB
	Expansion	1*Full size Mini PCIe(PCIe+ USB)with SIM slot, support 4G LTE /Wifi/BT etc. ; 1*Full size Mini PCIe(SATA3+ USB), used to be mSATA
	Graphics	Intel HD Graphics VGA resolution 1920 *1200@60Hz, HDMI resolution1920*1080@60Hz, Dual independent display , Support OpenGL 3.2, DirectX 11, OpenCL 1.2, MPGE2/H.264
	Audio	Realtek ALC662 HD Audio, support 5.1 sound channel, Aduio line out
	LAN	2*Intel I211AT PCIe Gigabit Ethernet, Integrated 10/100/1000M transceiver
	KB&MS	USB keyboard and mouse
	Storage	1*2.5" HDD bay, SATA2 3.0Gbps; 1*mSATA full size, dual AHCI
	DIO	8-bit TTL signal, Programmable input and output
	I/O ports	2*RJ45 Gig-LAN with LED(Front), 1*USB3.0 Type A (Front); 3*USB2.0 Type A(Front) 1*DB9 connector 8-bit DIO (Rear) 2*RS232/422/485 DB9 male(Rear) 1*HDMI+ 1*VGA(Front), 1*Audio-out, 3.5mm phone jack(Rear) 1*2pin terminal connector, with power sw signal(Rear)
	LED	1*Power LED, 1*HDD LED, 3*CPU term. LED (Red is warning , Yellow is high, Green is normal)
	Control SW	1*Power button(Front), 1*2pin ter. power-on signal(Rear), 1*AT/ATX Select dip(Front)
Power Supply	DC 9~36V Input, D-Jack with M8 screw (Front), Consumption: TBD 12/1.2A(2.5" HDD)	
Watchdog Timer	Watchdog timeout programmable via software 1 to 255 second	
OS Support	Windows 7, Windows 8.1, Windows 10, Linux Fedora Ubuntu	

Mechanical	Structure	Aluminum Chassis, SGCC frame
	Color	Silver
	Mounting	Desktop Mounting and Din-Rail mounting(optional)
	Dimension	(W*H*D) : 155*111.6*49mm
	Net weight	1.05Kg
Environmental	Operating temperature	-20°C~65°C - Fanless with wide operating temp. SSD, airflow -10°C~55°C - Fanless with HDD, airflow
	Storage Temperature	-40°C~85°C
	Storage Humidity	10~90%@40°C, Non-condensing
	Vibration	5 grms/5~500Hz/ random/in working(SSD); 1 grms/5~500Hz/random/in working(HDD)
	Shock	50g peak acceleration(11ms duration)(SSD); 20g peak acceleration(11ms duration)(HDD)
	Certification/EMC	CE/FCC Class A

## Dimension

Unit:mm



## Ordering Info.

Model NO.	Introduction
KMDA-2602/T002	Fanless Embedded Box Computer, Intel® J1900 CPU, 2*LAN, 1*USB3.0, 3*USB2.0,2*COM, 8bit DIO,1*HDMI,1*VGA, Audio out, 2*Mini PCIe ( One of them share slot with mSATA ) ,1*mSATA , 1*2.5" HDD bay, DC 9~36V
Mounting Accessories	KMDA-2602-T002 Din-rail mounting kit
PA-120DC19	AC/DC power adapter, DC 12V/5A 60W

\*All specifications and photos are subject to change without notice.

[www.jhctech.com](http://www.jhctech.com) © 2017 Jhctech.Co., Ltd.All rights reserved.

Updated Aug., 22th, 2018