

# AM-PC101

10.1" panel mount Pcap. touch Industrial monitor

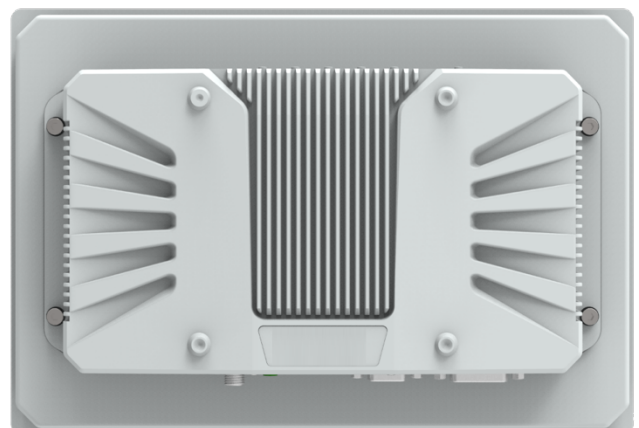
## Specification

V1.0

### Key features:

- Whole machine die casting molding;
- 10.1" TFT LCD, LED backlit, Resolution 1280 x 800;
- Multi-points 10 points Pcap. touch;
- Front panel IP65 rating, tempered glass;
- Multi DVI+VGA Signal input;
- Panel mounting and VESA mounting;
- Optional wide voltage input DC 9~36v.

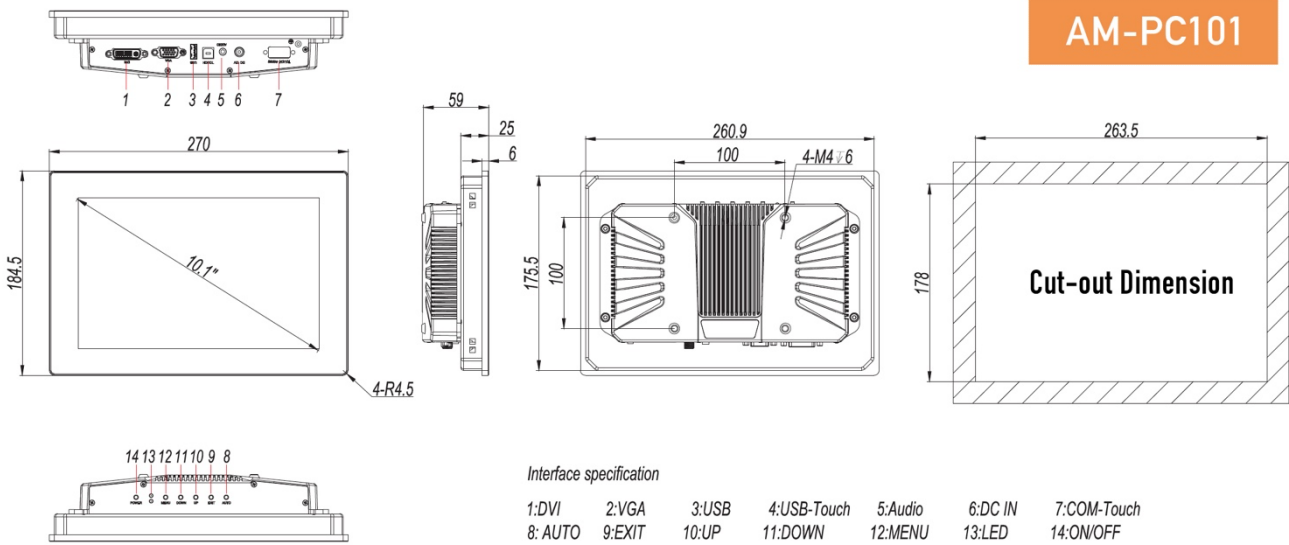
### Product Image



## Technical Data

<b>Basic Parameter</b>	
Button	OSD Button on top of box
Overall Dimension	270 x 184.5 x 59 mm (W*H*D)
Hole Dimension	263.5 x 178 mm (W*H)
Structure	Whole machine aluminum alloy die casting molding
Mounting	Panel Mounting, VESA 100
Display port	1*DVI ,1*VGA
Net weight	1.7 KG
Gross weight	3.6 KG
<b>LCD</b>	
Size/Type	10.1" SXGA, TFT-LCD
Resolution	1280 * 800
Backlit MTBF	WLED, 50 000 hours
Brightness	350 (cd/m <sup>2</sup> )
Display area	216.96 x 135.60 mm (H x V)
Contrast ratio	800: 1 (Typ.)
Viewing angle	85/85/85/85 (Typ.)
<b>Touch</b>	
Type	Multi-point 10 points Pcap touch
Interface	USB (Optional RS232)
Transmittance	>90%
Resolution	4096 x 4096
Input	Finger/ touch pen
Response time	<5ms
ESD	Contact 4KV, air 8KV
Surface hardness	Mohs 7H
<b>Power &amp; Environmental</b>	
Working temperature	0°C~+50 °C
Storage temperature	-20°C~+60 °C
Water Proof	IP65 rating in front panel
Relative humidity	10~95%@10°C ( No condensation )
Vibration	50~500Hz, 1.5G, 0.15mm peak to peak
Shock	10G/peak ( 11ms sec )
Power input	DC 12V (Optional DC 9~36V)
Power consumption	Around 10W
Certification	CE/ROHS/FCC

## Dimension & Interface



## Ordering Information

Part no.	Description
AM-PC101	10.1", 1280*800/10 points Pcap. Touch/USB/ DVI/VGA/DC 12V/PSU adapter
AM-PC101W	10.1", 1280*800/10 points Pcap. Touch/USB/ DVI/VGA/DC 9~36V/PSU adapter