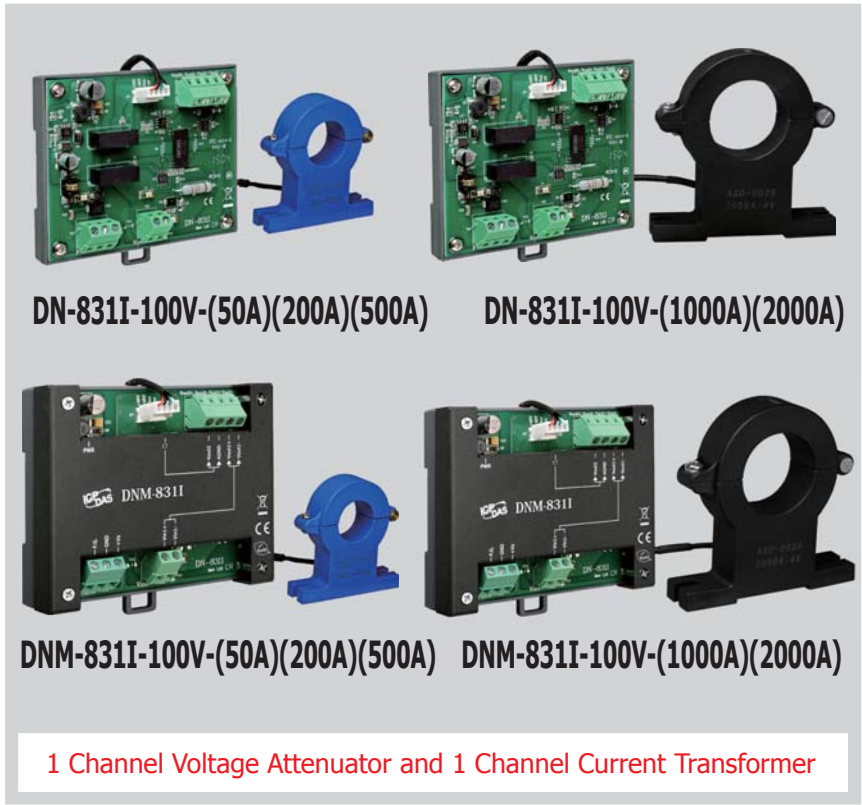


Voltage Attenuator and Current Transformer



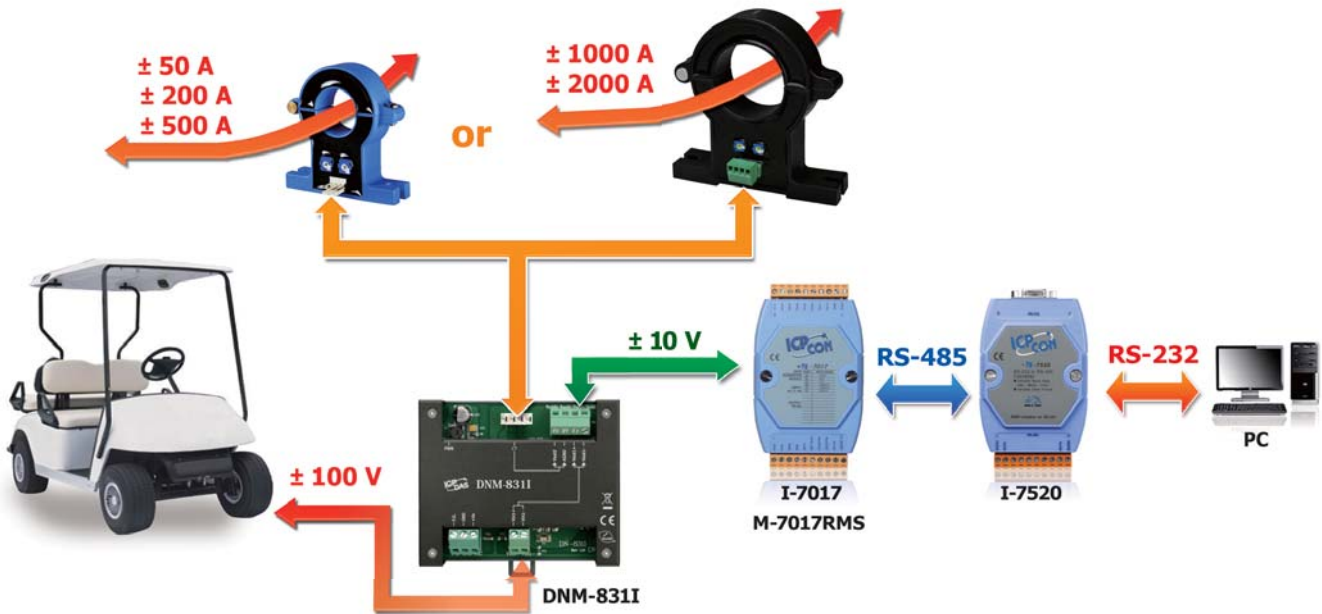
Features

- High Voltage Input and High Current Input Measurement
- Three Way Isolation
- Linear Attenuation Ratio
- High Input Impedance
- 3000 VDC Channel to Channel Isolation
- 4 kV ESD Protection
- 3 kV Surge Protection
- RoHS Compliance
- Easily wire connection
- Operating Temperature: -25 ~ +75 °C

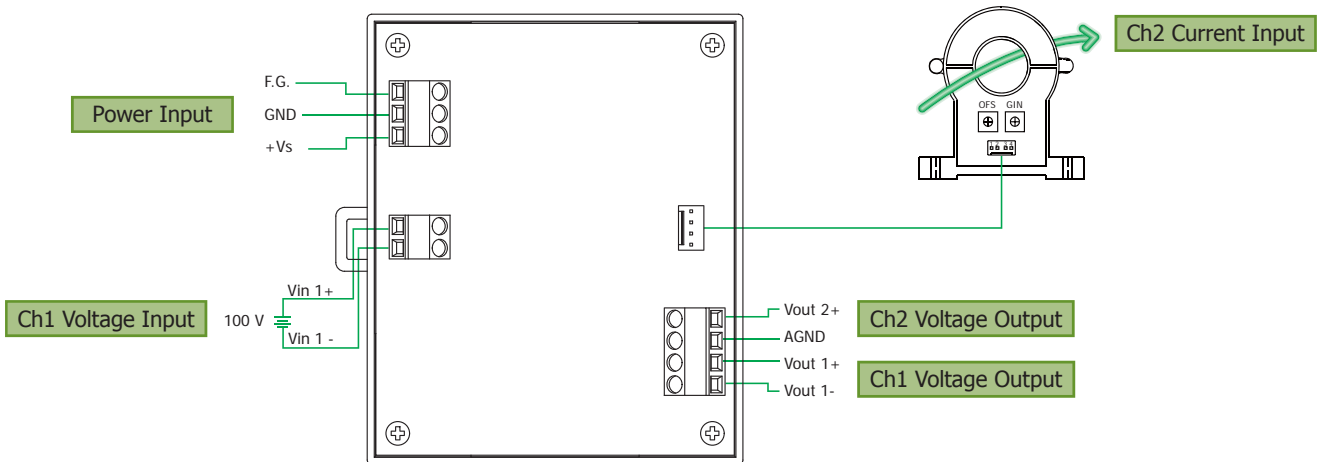
Introduction

The DN-831I-100V-500A is 1-channel voltage attenuator and 1-channel current transformer. The maximum voltage input range is from ± 100 V can be attenuated to ± 10 V and the maximum current input range is from ± 500 A can be attenuated to ± 10 V. It provides 3000 VDC intra-modules isolation and 3000 VDC channel to channel isolation to avoid the noise interference from inputs to outputs or channel to channel. It can be used with the analog input modules such as I-7017, I-87017, M-7017RMS and I-87017W-RMS etc. to measure the high current.

Applications



Appearance

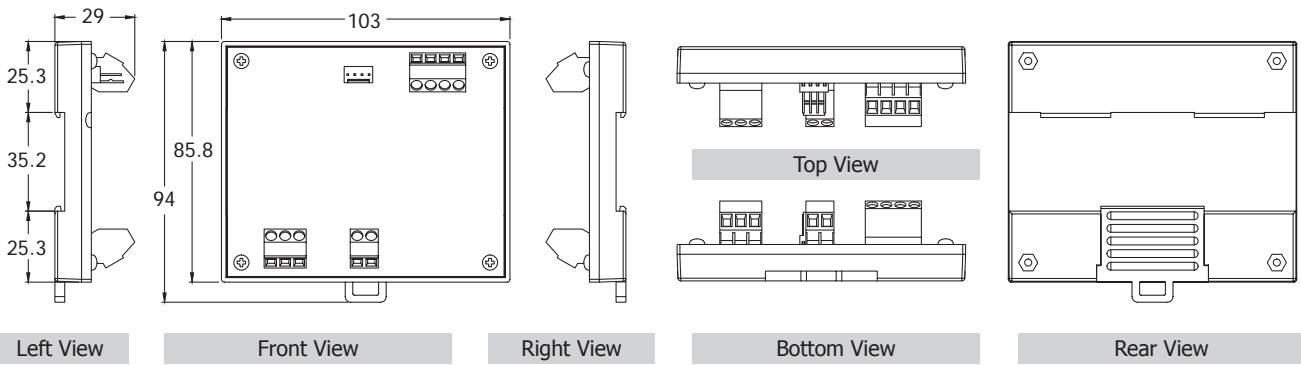


Specifications

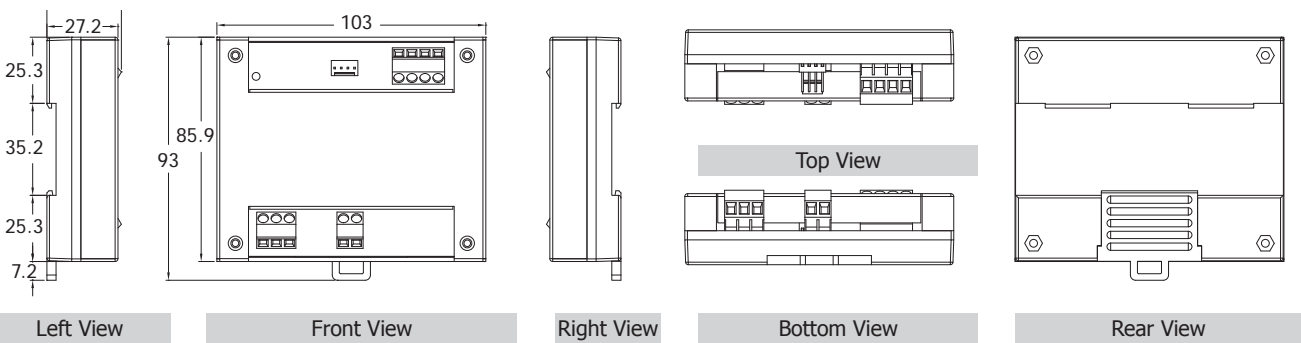
| Models | DN-831I-100V-50A | DN-831I-100V-200A | DN-831I-100V-500A | DN-831I-100V-1000A | DN-831I-100V-2000A |
|---------------------------|---|--------------------|--------------------|---------------------|---------------------|
| | DNM-831I-100V-50A | DNM-831I-100V-200A | DNM-831I-100V-500A | DNM-831I-100V-1000A | DNM-831I-100V-2000A |
| High Current Input | | | | | |
| Channels | 1 | | | | |
| Input Type | AC/DC Current | | | | |
| Input Current Range | ±50 A | ±200 A | ±500 A | ±1000 A | ±2000 A |
| Output Voltage Range | ±10 VDC or 10 VAC | | | | |
| Accuracy | 1% of FSR | | | | |
| Isolation voltage | 2.5 kV @ 50 (60) HZ/1 min | | | | |
| Frequency bandwidth | 0 ~ 50 KHz | | | | |
| CTΦ | Φ21 mm | | | Φ40.5 mm | |
| High Voltage Input | | | | | |
| Channel | 1 | | | | |
| Input Type | AC/DC Voltage | | | | |
| Input Range | ±100 Vdc | | | | |
| Output Range | ±10 VDC or 10 VAC | | | | |
| Accuracy | 1% of FSR | | | | |
| Frequency bandwidth | 20 Hz ~ 20 kHz | | | | |
| Isolation | | | | | |
| Three Way Isolation | 3000 Vdc | | | | |
| EMS Protection | | | | | |
| ESD (IEC 61000-4-2) | ±4 kV contact for power line, input and output channels, ±8 kV air for random point | | | | |
| Surge (IEC 61000-4-5) | ±3 kV for power liner | | | | |
| Power Input | | | | | |
| Input Range | +10 ~ +30 VDC | | | | |
| Power Consumption | 1.8 W | | | | |
| Mechanical | | | | | |
| Dimensions (W x L x H) | 96 mm x 103 mm x 30 mm | | | | |
| Housing | Metal | | | | |
| Installation | DIN-Rail Mounting | | | | |
| Environment | | | | | |
| Operating Temperature | -25 ~ + 75°C | | | | |
| Storage Temperature | -30 ~ +75°C | | | | |
| Humidity | 10 ~ 90% RH (non-condensing) | | | | |

■ Dimensions (Units: mm)

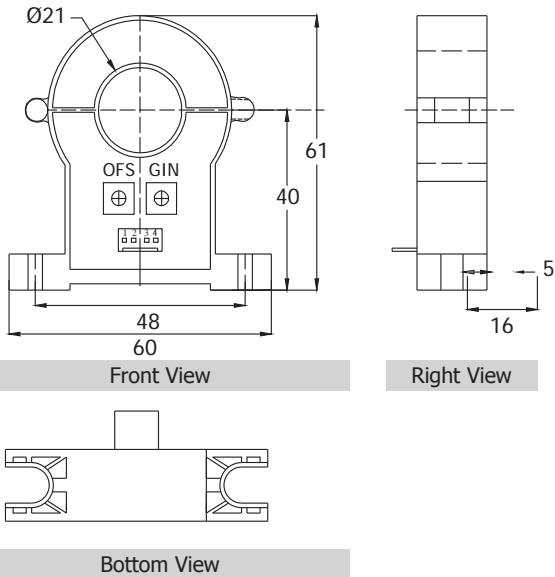
DN-831I -100V



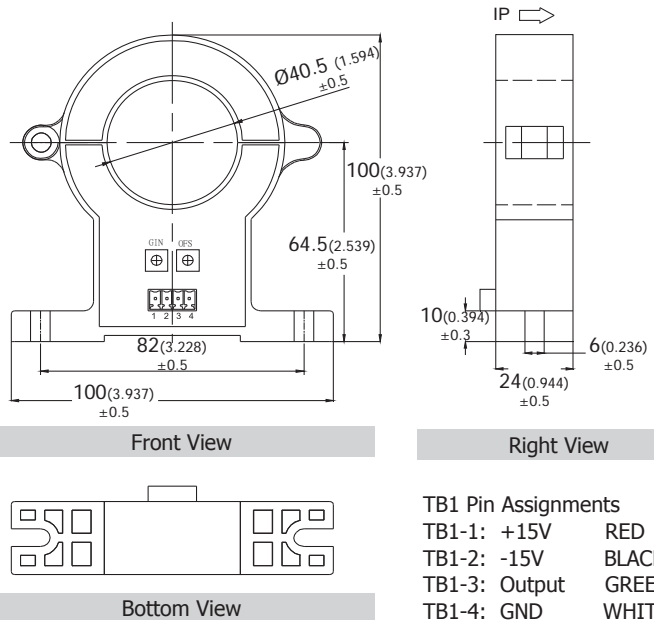
DNM-831I -100V



50A, 200A, 500A CTΦ21mm









1000A, 2000A CTΦ40.5mm



Ordering Information

| | |
|-------------------------------|---|
| DN-831I-100V-50A CR | 1 Channel Voltage Attenuator and 1 Channel Current Transformer (50A) (RoHS) |
| DN-831I-100V-200A CR | 1 Channel Voltage Attenuator and 1 Channel Current Transformer (200A) (RoHS) |
| DN-831I-100V-500A CR | 1 Channel Voltage Attenuator and 1 Channel Current Transformer (500A) (RoHS) |
| DN-831I-100V-1000A CR | 1 Channel Voltage Attenuator and 1 Channel Current Transformer (1000A) (RoHS) |
| DN-831I-100V-2000A CR | 1 Channel Voltage Attenuator and 1 Channel Current Transformer (2000A) (RoHS) |
| DNM-831I-100V-50A CR | 1 Channel Voltage Attenuator and 1 Channel Current Transformer (50A) (Metal) (RoHS) |
| DNM-831I-100V-200A CR | 1 Channel Voltage Attenuator and 1 Channel Current Transformer (200A) (Metal) (RoHS) |
| DNM-831I-100V-500A CR | 1 Channel Voltage Attenuator and 1 Channel Current Transformer (500A) (Metal) (RoHS) |
| DNM-831I-100V-1000A CR | 1 Channel Voltage Attenuator and 1 Channel Current Transformer (1000A) (Metal) (RoHS) |
| DNM-831I-100V-2000A CR | 1 Channel Voltage Attenuator and 1 Channel Current Transformer (2000A) (Metal) (RoHS) |

Accessories

| | | |
|---|--------------|---|
|  | CA-040415 | 4-pin & 4-pin Cable 1.5 M (RoHS) |
|  | CA-040425 | 4-pin & 4-pin Cable 2.5 M (RoHS) |
|  | CA-040415-1 | 4-pin & 4-pin Cable 1.5 M (RoHS) |
|  | MDR-20-24 CR | 24 V/1 A, 24 W Power Supply with DIN-Rail Mounting (RoHS) |
|  | I-7017-G CR | 8-channel Analog Input Module (RoHS) |
|  | I-87017-G CR | 8-channel Analog Input Module (RoHS) |