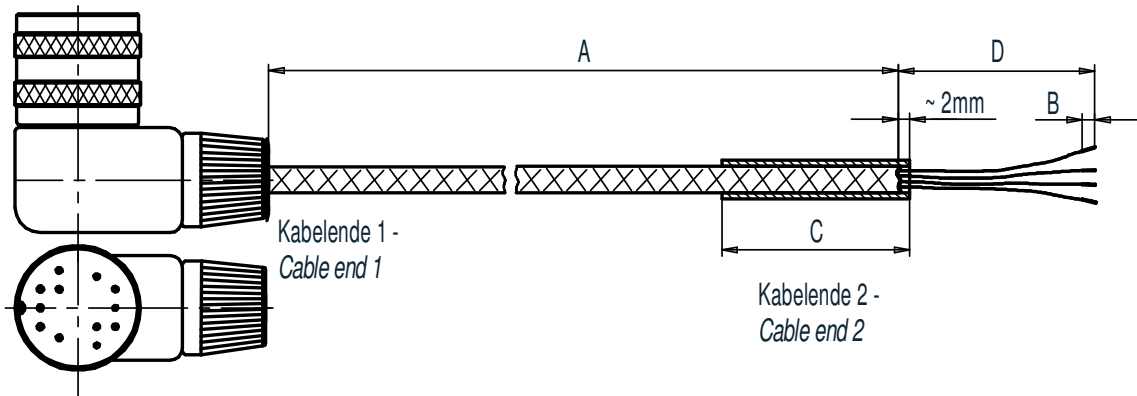


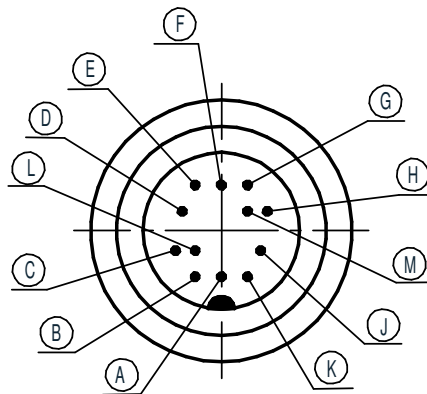
Messkabel Bez.: X-KDW12/A-FL-3m/PVC
Measuring cable type: X-KDW12/A-FSE-3m/PVC

Art. Nr.: 10374
Art. No.: 10374



Verwendet für - <i>Applied for</i>	Drehmomentsensor Typ - <i>Torque Sensor Type</i>	Passive Sensoren mit 12-pol. Stecker - <i>Passive sensors with 12-pin connector</i>
Kabel - <i>Cable</i>	Typ - <i>Type</i>	LIYCY
	Abmessung - <i>Dimensions</i>	12 x 0,14 mm ² PVC
	Art. Nr. - <i>Art. No.</i>	102128
Kabelende 1 - <i>Cable end 1</i>	Typ - <i>Type</i>	Winkeldose 12-polig Serie 682 - <i>Angle cable connector female 12-pin, series 682</i>
	Art. Nr. - <i>Art. No.</i>	44645
Kabelende 2 - <i>Cable end 2</i>	Typ - <i>Type</i>	Freie Litzen - <i>Free soldered ends</i>
Maße - <i>Dimensions</i>	Gesamtlänge - <i>Total length</i>	A = 3 m
	Adern verzinnt - <i>Tinned wires</i>	B = 3...4 mm
	Schrumpfschlauch - <i>Shrink hose</i>	C = 40...50 mm
	Abmantelung - <i>Free wire</i>	D = 40...50 mm

Ansicht auf Lötseite (Buchse) - View solder side (connector female)



Kabelende 1 - <i>Cable end 1</i>	Kabeladern - <i>Cable wires</i>		Kabelende 2 - <i>Cable end 2</i>
Anschluss - <i>Connection</i>	Funktion - <i>Function</i>	Aderfarbe - <i>Conductor color</i>	Anschluss - <i>Connection</i>
A	Speisung (-) - <i>Excitation (-)</i>	grün - <i>green</i>	Freie Litzen - <i>Free soldered ends</i>
B	Speisung (+) - <i>Excitation (+)</i>	braun - <i>brown</i>	
C	Signal (+) - <i>Signal (+)</i>	gelb - <i>yellow</i>	
D	Signal (-) - <i>Signal (-)</i>	weiß - <i>white</i>	
E	Speisung Winkel (GND) - <i>Excitation angle (GND)</i>	grau - <i>grey</i>	
F	Speisung Winkel (+5V) - <i>Excitation angle (+5V)</i>	rot - <i>red</i>	
G	Signal Winkel A - <i>Signal angle A</i>	rosa - <i>pink</i>	
H	Signal Winkel B - <i>Signal angle B</i>	blau - <i>blue</i>	
J	Signal Winkel (GND) - <i>Signal angle (GND)</i>	schwarz - <i>black</i>	
K	Kontrollsignal - <i>Control signal</i>	rot-blau - <i>red-blue</i>	
L	-	violett - <i>violet</i>	
M	Schirm - <i>Shield</i>	Geflecht - <i>Netting</i>	